

**Bushing Data:**

Rated Voltage	362	kV
Phase to-earth Voltage	220	kV
Dry Lightning Impulse	1,2/50µs	1050
Wet Switching Impulse	750	kV
Wet Power frequency AC	480	kV
Routine test Imin dry 50Hz	505	kV
Rated Current	2500	A
Creepage Distance	7205	mm
Mass	755	kg

**Ordering Data:**

**BUSHING**  
 LFI21063 -B / -AB COLOUR AIR INSULATOR  
 BROWN / LIGHT GREY

**OUTER TERMINAL**

LFI170 073-A	Al	H2 (mm)	D2 (mm)
LFI170 073-B	Cu	125	60
LFI170 073-G	Cu/Ag	125	60
LFI170 073-G	Cu/Ag	125	60

OTHER TYPES ON REQUEST

**END-SHIELD**

LFI170 046-U EPOXY INSULATED  
 LFI170 046-UP INSULATED WITH 3 mm PRESSBOARD

**DRAW ROD SYSTEM**

LFI170 059 LOWER DRAW ROD WITH NI=4 OR NI=6  
 LFI170 057 UPPER DRAW ROD

**INNER TERMINAL**

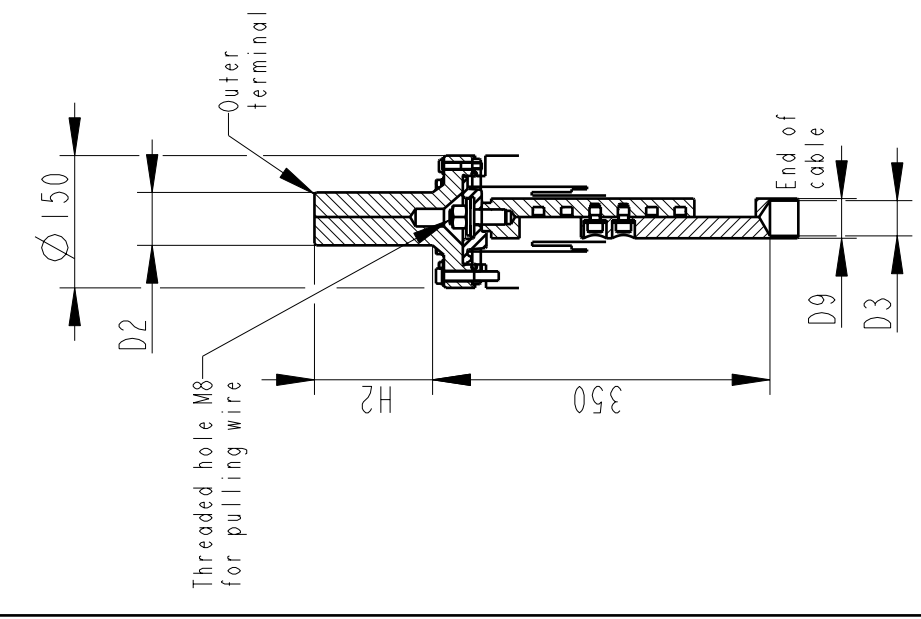
D3 (mm)	D9 (mm)	Cond.area (mm <sup>2</sup> )	Current (A)	IEEC
LFI170 056-E	45	-	-	-
LFI170 056-D	45	600	1600	1360

\*) WITH PILOT HOLE D=5

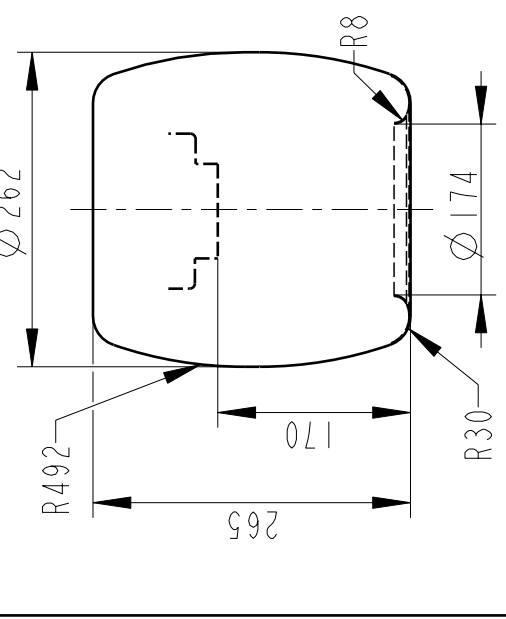
**ABB Components** Lutha, Sweden

No.	kV	A	50-60	Hz
U <sub>1</sub>	kV	SI	kV	AC
M	kg	L	mm	D
C1	µF	Tanδ	;	;
C2	µF	Tanδ	;	;

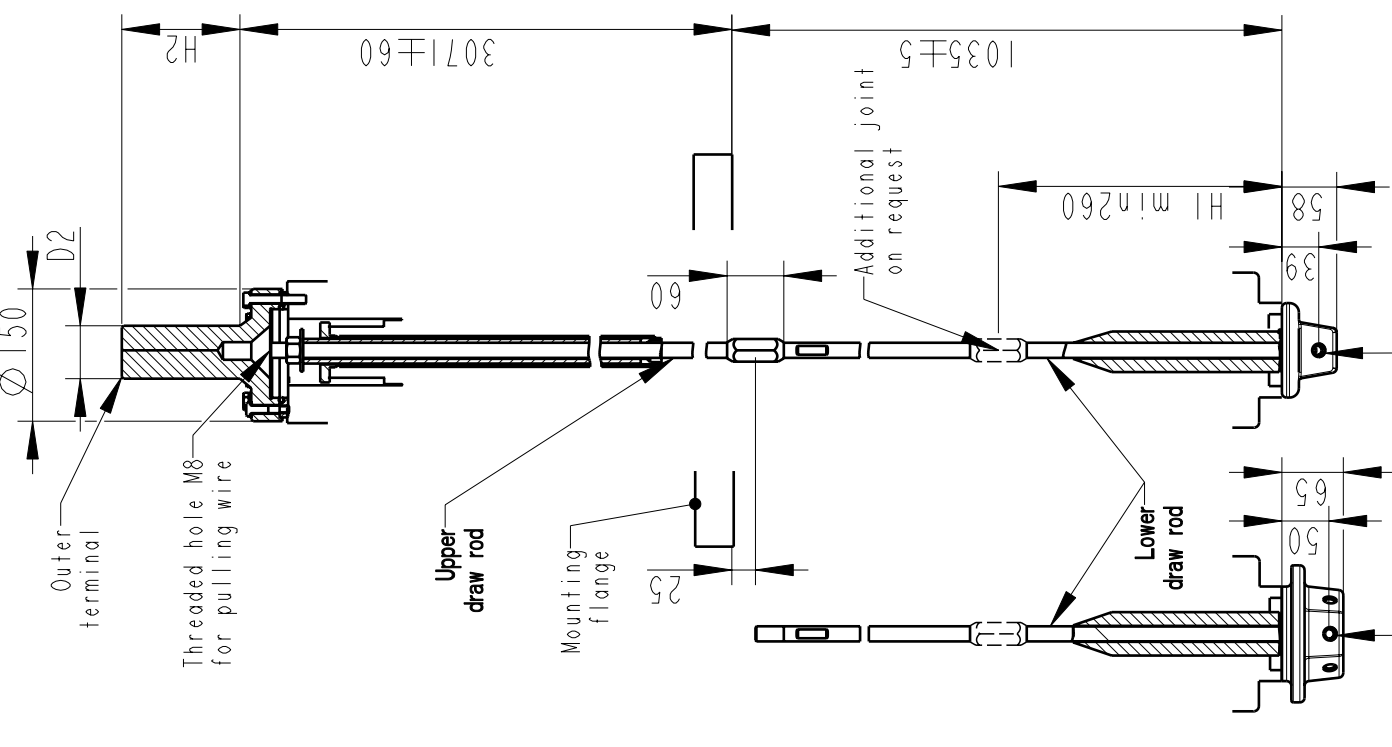
**INNER TERMINAL / OUTER TERMINAL**



**END SHIELD**



**DRAW ROD SYSTEM / OUTER TERMINAL**



NI=Number of holes M12, equipped with thread insert with screw lock, depth 20, for cable lugs.

Based on	Reg. No.	Title
Prepared	Responsible department	GOE-1050-750-2500-0.3
Lövnord	COM/BK 0022	
Approved	Take over department	
Johansson	Database	
Design engineering review		
Gutman		
ABB ABB Components		Document No. 2751369-93